



FITTING INSTRUCTIONS FOR RAD0238 RADIATOR GUARD
KTM DUKE 790 2018



THIS KIT CONTAINS THE ITEMS PICTURED AND LABELLED BELOW.
DO NOT PROCEED UNTIL YOU ARE SURE ALL PARTS ARE PRESENT.

Please note that the way the kit is packed does not necessarily represent the way of mounting to the bike

Please note that in cases where kits are packed with rubber washers holding the components onto the bolt – *the rubber washers should be thrown away!*
THE PARTS SHOWN MAY BE REPRESENTATIVE ONLY (FOR CLARITY OF INSTRUCTIONS ONLY)

Digital copies of these instructions are available to download from www.rg-racing.com

GENERAL TORQUE SETTINGS

M4 BOLT = 8Nm
M5 BOLT = 12Nm
M6 BOLT = 15Nm
M8 BOLT = 20Nm
M10 BOLT = 40Nm

TOOLS REQUIRED

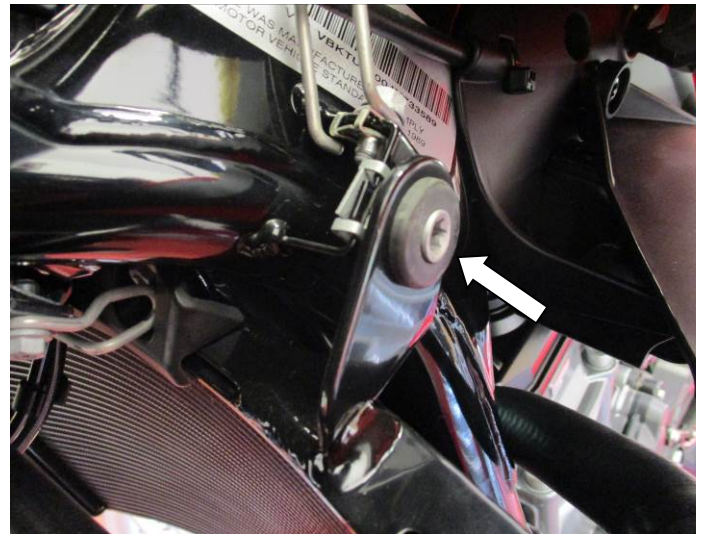
- T25 Torx driver.
- 4mm Allen Key
- 5mm Allen Key

**This Kit Contains**

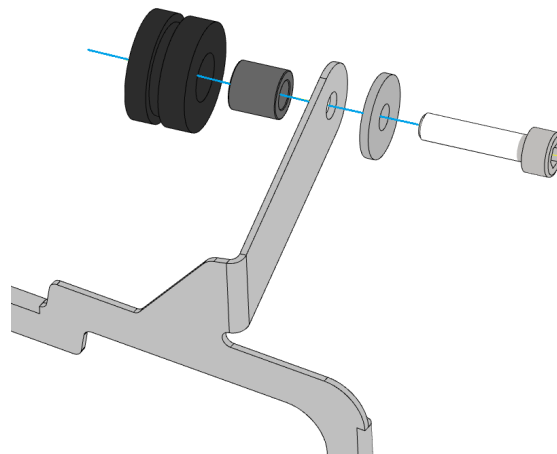
- Item 1 = 1 x RAD0238 RADIATOR GUARD
- Item 2 = 2 x M6 x 1.00 x 12mm LONG BUTTON HEAD BOLTS STAINLESS
- Item 3 = 2 x M6 WASHERS 12mm O/DIA
- Item 4 = 1 x M6 x 1.00 x 25mm LONG CAP HEAD BOLT STAINLESS
- Item 5 = 1 x M6 WASHER 19mm O/DIA
- Item 6 = 1 x S1151 11mm SPACER
- Item 7 = 2 x 100mm LENGTH OF SELF-ADHESIVE FOAM
- Item 8 = 1 x RGS0005 BUBBLE STICKERS
- Item 9 = 2 x RGS0002 SMALL STICKERS
- Item 10 = 2 x 220mm CABLE TIES



Picture 1



Picture 2



Picture 3

R&G

Unit 1, Shelley's Lane, East Worldham, Alton, Hampshire, GU34 3AQ

Tel: +44 (0)1420 89007 Fax: +44 (0)1420 87301 www.rg-racing.com Email: info@rg-racing.com



FITTING INSTRUCTIONS

- To fit the radiator guard to the bike, cut the foam strip provided (item 7) into 10mm wide pieces and stick them to the back of the radiator guard frame.
- Remove both lower radiator mounting Torx bolts as arrowed in picture 1.
- Remove the Torx bolt on the upper radiator mount on the LHS of the bike as arrowed in picture 2.
- Offer the radiator guard into position, ensuring the upper mount tab is placed over the top radiator mount.
- Secure the guard in place using the two M6 bolts (item 2) and washers (item 3) included into the lower radiator mounts.
- Place the spacer (item 6) into the rubber washer of the upper mount and secure the radiator with the cap head bolt (item 4) and 19mm washer (item 5) as seen in picture 3.
- Use the provided cable tie (item 10) through the tie tab to fasten the opposite side of the radiator to the RHS radiator mount of the bike securing the radiator guard in place.
- Ensure all bolts are tight and torqued to the correct values and the radiator guard is secure.

ISSUE 1 17/10/2018 (DM)

CONSUMER NOTICE

The catalogue description and any exhibition of samples are only broad indications of the Products and R&G may make design changes which do not diminish their performance or visual appeal and supplying them in such state shall conform to the order. The Buyer acknowledges no representation or warranty (other than as to title) has been given or will apply to the Products other than those in R&G's order or confirmation and the Buyer confirms it has chosen the Products as being of merchantable quality and suitable for its particular purposes. Where R&G fits the Products or undertakes other services it shall exercise reasonable skill and care and rectify any fault free of charge unless the workmanship has been disturbed. The Buyer is responsible for ensuring that the warranty on the motorcycle is not affected by the fitting of the Products. On return of any defective Products R&G shall at its option either supply a replacement or refund the purchase money but shall not be liable if the Products have been modified or used or maintained otherwise than in accordance with R&G's or manufacturer's instructions and good engineering practice or if the defect arises from accident or neglect. Other than identified above and subject to R&G not limiting its liability for causing death and personal injury, it shall not be liable for indirect or consequential loss and otherwise its liability shall be limited to the amounts paid by the Buyer for the Products or the fitting or service concerned. These terms do not affect the Buyer's statutory rights.

R&G RETURNS POLICY (NON-FAULTY GOODS)

Returns must be pre-authorised (if not pre-authorised the return will be rejected). Goods may only be returned direct to us if they were purchased direct from us (customer must prove if necessary). Otherwise to be returned to original vendor. Goods must be in re-sellable condition, in the opinion of R&G. All returns are subject to a 25% restocking and handling fee (25% of the gross value exc. P&P – at the prevailing price at time of purchase). The customer must pay any and all carriage charges. No returns of discontinued products, unless within 14 days of purchase. This policy does not affect your statutory rights and does not refer to faulty goods.

R&G

Unit 1, Shelley's Lane, East Worldham, Alton, Hampshire, GU34 3AQ

Tel: +44 (0)1420 89007 Fax: +44 (0)1420 87301 www.rg-racing.com Email: info@rg-racing.com



NOTICE DE MONTAGE POUR RAD0238
GRILLE DE PROTECTION RADIATEUR
KTM DUKE 790 2018



Le kit contient les articles exposés ci-dessous, vérifier que toutes les pièces soient présentes avant de procéder au montage.

La façon dont le kit est emballé ne correspond pas forcément à la façon de monter les pièces sur la moto.

Notez que si les kits sont emballés avec des rondelles en caoutchouc servant à tenir les composants, *ces rondelles doivent être jetées !*

LES PARTIES PRÉSENTÉES PEUVENT ÊTRE UNIQUEMENT REPRESENTATIVES (POUR LA CLARTE DES INSTRUCTIONS UNIQUEMENT)

Notice disponible au téléchargement sur www.rg-racing.com

VALEURS DE SERRAGE RECOMMANDEES

M4 BOULON = 8Nm
M5 BOULON = 12Nm
M6 BOULON = 15Nm
M8 BOULON = 20Nm
M10 BOULON = 40Nm

OUTILS REQUIS

- Clé Torx T25.
- Clé Allen 4mm.
- Clé Allen 5mm.

R&G

Unit 1, Shelley's Lane, East Worldham, Alton, Hampshire, GU34 3AQ
Tel: +44 (0)1420 89007 Fax: +44 (0)1420 87301 www.rg-racing.com Email: info@rg-racing.com

**LE KIT CONTIENT:**

- Article 1 = 1 x RAD0238 GRILLE DE PROTECTION RADIATEUR
- Article 2 = 2 x M6 x 1.00 x 12mm BOULONS
- Article 3 = 2 x M6 RONDELLES 12mm
- Article 4 = 1 x M6 x 1.00 x 25mm BOULON
- Article 5 = 1 x M6 RONDELLE 19mm
- Article 6 = 1 x S1151 11mm ENTRETOISE
- Article 7 = 2 x 100mm LONGUEUR DE MOUSSE AUTOCOLLANTE
- Article 8 = 1 x RGS0005 STICKERS EN CAOUTCHOUC
- Article 9 = 2 x RGS0002 PETITS STICKERS
- Article 10 = 2 x 220mm COLLIERS DE SERRAGE



Photo 1

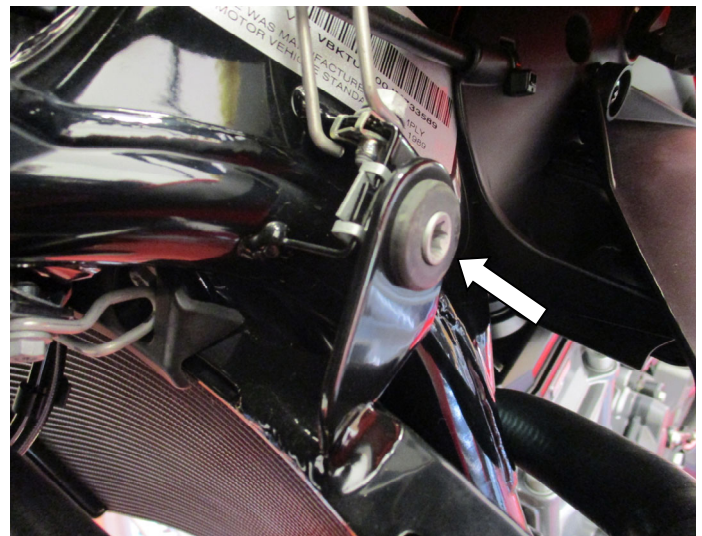


Photo 2

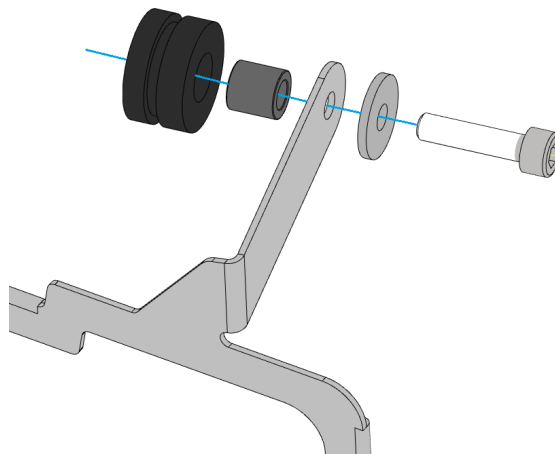


Photo 3

R&G

Unit 1, Shelley's Lane, East Worldham, Alton, Hampshire, GU34 3AQ

Tel: +44 (0)1420 89007 Fax: +44 (0)1420 87301 www.rg-racing.com Email: info@rg-racing.com



NOTICE DE MONTAGE

- Pour monter la grille de protection sur la moto, couper la mousse autocollante (article 7) en bandeaux de 10mm puis collez les au bas du cadre de protection radiateur.
- Enlever les 2 boulons Torx de fixation radiateur inférieure, voir photo 1.
- Enlever le boulon Torx sur le support radiateur supérieur du côté gauche de la moto, voir photo 2.
- Monter la protection radiateur en position, en veillant à ce que l'onglet de support supérieur soit placé sur le support de radiateur.
- Fixer la grille de protection en place en utilisant les 2 boulons M6 (article 2) et rondelles (article 3) inclus dans les supports radiateur inférieurs.
- Placer l'entretoise (article 6) dans la rondelle en caoutchouc du support supérieur puis fixer le radiateur avec le boulon (article 4) et une rondelle de 19mm (article 5).
- Utiliser le collier de serrage fourni (article 10) dans l'onglet pour attacher le côté opposé du radiateur sur le support radiateur du côté droit de la moto en fixant la protection radiateur en place.
- Veiller à ce que tous les boulons soient serrés selon les valeurs recommandées et que la grille de protection soit correctement serrée.

ISSUE 1 17/10/2018 (DM)

CONSUMER NOTICE

The catalogue description and any exhibition of samples are only broad indications of the Products and R&G may make design changes which do not diminish their performance or visual appeal and supplying them in such state shall conform to the order. The Buyer acknowledges no representation or warranty (other than as to title) has been given or will apply to the Products other than those in R&G's order or confirmation and the Buyer confirms it has chosen the Products as being of merchantable quality and suitable for its particular purposes. Where R&G fits the Products or undertakes other services it shall exercise reasonable skill and care and rectify any fault free of charge unless the workmanship has been disturbed. The Buyer is responsible for ensuring that the warranty on the motorcycle is not affected by the fitting of the Products. On return of any defective Products R&G shall at its option either supply a replacement or refund the purchase money but shall not be liable if the Products have been modified or used or maintained otherwise than in accordance with R&G's or manufacturer's instructions and good engineering practice or if the defect arises from accident or neglect. Other than identified above and subject to R&G not limiting its liability for causing death and personal injury, it shall not be liable for indirect or consequential loss and otherwise its liability shall be limited to the amounts paid by the Buyer for the Products or the fitting or service concerned. These terms do not affect the Buyer's statutory rights.

R&G RETURNS POLICY (NON-FAULTY GOODS)

Returns must be pre-authorised (if not pre-authorised the return will be rejected). Goods may only be returned direct to us if they were purchased direct from us (customer must prove if necessary). Otherwise to be returned to original vendor. Goods must be in re-sellable condition, in the opinion of R&G. All returns are subject to a 25% restocking and handling fee (25% of the gross value exc. P&P – at the prevailing price at time of purchase). The customer must pay any and all carriage charges. No returns of discontinued products, unless within 14 days of purchase. This policy does not affect your statutory rights and does not refer to faulty goods.

R&G

Unit 1, Shelley's Lane, East Worldham, Alton, Hampshire, GU34 3AQ

Tel: +44 (0)1420 89007 Fax: +44 (0)1420 87301 www.rg-racing.com Email: info@rg-racing.com



MONTAGEANLEITUNG FÜR RAD0238 KÜHLERSCHUTZ
KTM DUKE 790 2018



ALLE KIT-TEILE SIND UNTEN ABGEBILDET UND GEKENNZEICHNET. BEVOR SIE MIT DER MONTAGE BEGINNEN, ÜBERPRÜFEN SIE, DASS ALLE TEILE VORHANDEN SIND.

Hinweis: Die Verpackung der Teile stellt nicht die Reihenfolge der Montage dar.

Hinweis für Kits mit Plastikunterlegscheiben an den Schrauben – *Diese Plastikunterlegscheiben werden nicht für den Einbau benötigt!*
DIE UNTEN ABGEBILDETEN TEILE DIENEN LEDIGLICH ZUR ERKLÄRUNG

Eine digitale Version dieser Montageanleitung kann auf folgender Seite heruntergeladen werden: www.rg-racing.com

ANZUGSDREHMOMENT

M4 SCHRAUBE = 8Nm
M5 SCHRAUBE = 12Nm
M6 SCHRAUBE = 15Nm
M8 SCHRAUBE = 20Nm
M10 SCHRAUBE = 40Nm

SIE BENÖTIGEN FOLGENDES WERKZEUG

- T25 Torx-Schlüssel
- 4mm Inbusschlüssel
- 5mm Inbusschlüssel

R&G

Unit 1, Shelley's Lane, East Worldham, Alton, Hampshire, GU34 3AQ
Tel: +44 (0)1420 89007 Fax: +44 (0)1420 87301 www.rg-racing.com Email: info@rg-racing.com

**Lieferumfang:**

- Artikel 1 = 1 x RAD0238 KÜHLERSCHUTZ
- Artikel 2 = 2 x M6 x 1.00 x 12mm INBUSSCHRAUBE
- Artikel 3 = 2 x M6 UNTERLEGSCHIEBE 12mm O/DIA
- Artikel 4 = 1 x M6 x 1.00 x 25mm INBUSSCHRAUBE
- Artikel 5 = 1 x M6 UNTERLEGSCHIEBE 19mm O/DIA
- Artikel 6 = 1 x S1151 11mm DISTANZHALTER
- Artikel 7 = 2 x 100mm SELBSTKLEBENDE SCHAUMSTOFFSTREIFEN
- Artikel 8 = 1 x RGS0005 BUBBLE AUFKLEBER
- Artikel 9 = 2 x RGS0002 KLEINE AUFKLEBER
- Artikel 10 = 2 x 220mm KABELBINDER



Abbildung 1

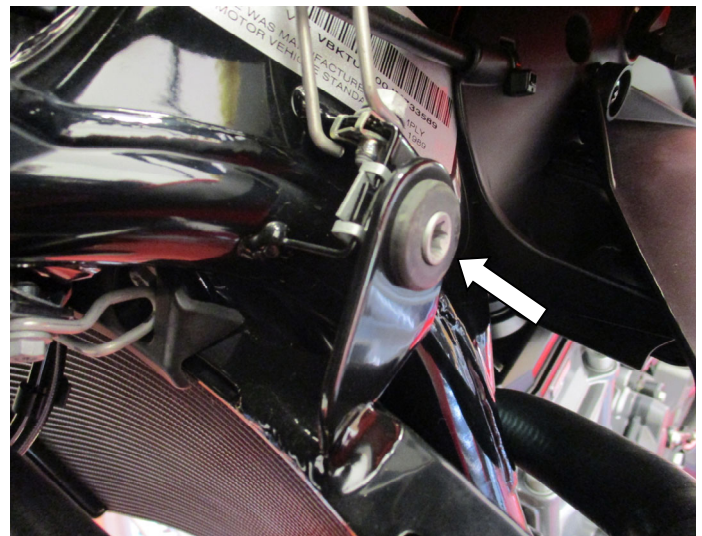


Abbildung 2

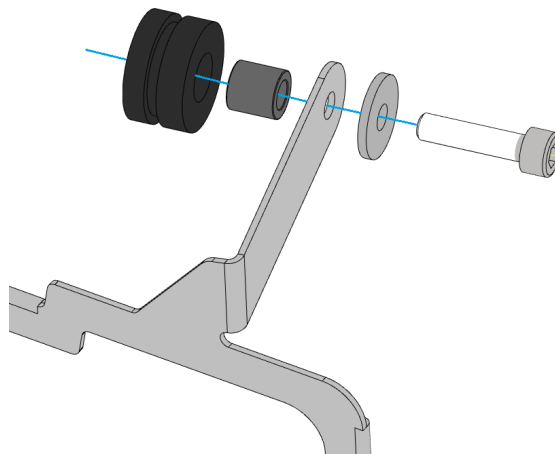


Abbildung 3

R&G

Unit 1, Shelley's Lane, East Worldham, Alton, Hampshire, GU34 3AQ

Tel: +44 (0)1420 89007 Fax: +44 (0)1420 87301 www.rg-racing.com Email: info@rg-racing.com



MONTAGEANLEITUNG

- Um den Kühlerschutz am Motorrad zu montieren, schneiden Sie zuerst die mitgelieferten Schaumstoffstreifen (Artikel 7) in 10 mm breite Streifen und kleben Sie diese auf der Rückseite des Kühlerschutzrahmens.
- Entfernen Sie die zwei unteren Montageschrauben (Torx-Schrauben), die in Abbildung 1 markiert sind.
- Entfernen Sie die Torx-Schraube an der oberen Halterung für den Kühler an der linken Seite des Motorrades - siehe Abbildung 2.
- Den Kühlerschutz in Position bringen – bitte stellen Sie sicher, dass die obere Montagelasche über der oberen Kühlerhalterung positioniert ist.
- Den Kühlerschutz mit den zwei M6 Schrauben (Artikel 2) und Unterlegscheiben (Artikel 3) an den unteren Kühlerhalterungen anbringen.
- Den Distanzhalter (Artikel 6) in die Gummi-Unterlegscheibe der oberen Halterung einsetzen und den Kühler mit der Inbusschraube (Artikel 4) und 19mm Unterlegscheibe (Artikel 5) sichern.
- Den Kabelbinder vom Kit (Artikel 10) durch die Lasche führen, um die gegenüberliegende Seite des Kühlers an der rechten Kühlerhalterung zu befestigen und den Kühlerschutz in Position zu sichern.
- Überprüfen Sie, dass alle Schrauben fest sind bzw. mit dem richtigen Anzugsdrehmoment festgezogen wurden, und dass der Kühlerschutz sicher befestigt ist.

AUSGABE 1 17/10/2018 (DM)

CONSUMER NOTICE

The catalogue description and any exhibition of samples are only broad indications of the Products and R&G may make design changes which do not diminish their performance or visual appeal and supplying them in such state shall conform to the order. The Buyer acknowledges no representation or warranty (other than as to title) has been given or will apply to the Products other than those in R&G's order or confirmation and the Buyer confirms it has chosen the Products as being of merchantable quality and suitable for its particular purposes. Where R&G fits the Products or undertakes other services it shall exercise reasonable skill and care and rectify any fault free of charge unless the workmanship has been disturbed. The Buyer is responsible for ensuring that the warranty on the motorcycle is not affected by the fitting of the Products. On return of any defective Products R&G shall at its option either supply a replacement or refund the purchase money but shall not be liable if the Products have been modified or used or maintained otherwise than in accordance with R&G's or manufacturer's instructions and good engineering practice or if the defect arises from accident or neglect. Other than identified above and subject to R&G not limiting its liability for causing death and personal injury, it shall not be liable for indirect or consequential loss and otherwise its liability shall be limited to the amounts paid by the Buyer for the Products or the fitting or service concerned. These terms do not affect the Buyer's statutory rights.

R&G RETURNS POLICY (NON-FAULTY GOODS)

Returns must be pre-authorized (if not pre-authorized the return will be rejected). Goods may only be returned direct to us if they were purchased direct from us (customer must prove if necessary). Otherwise to be returned to original vendor. Goods must be in re-sellable condition, in the opinion of R&G. All returns are subject to a 25% restocking and handling fee (25% of the gross value exc. P&P – at the prevailing price at time of purchase). The customer must pay any and all carriage charges. No returns of discontinued products, unless within 14 days of purchase. This policy does not affect your statutory rights and does not refer to faulty goods.

R&G

Unit 1, Shelley's Lane, East Worldham, Alton, Hampshire, GU34 3AQ

Tel: +44 (0)1420 89007 Fax: +44 (0)1420 87301 www.rg-racing.com Email: info@rg-racing.com